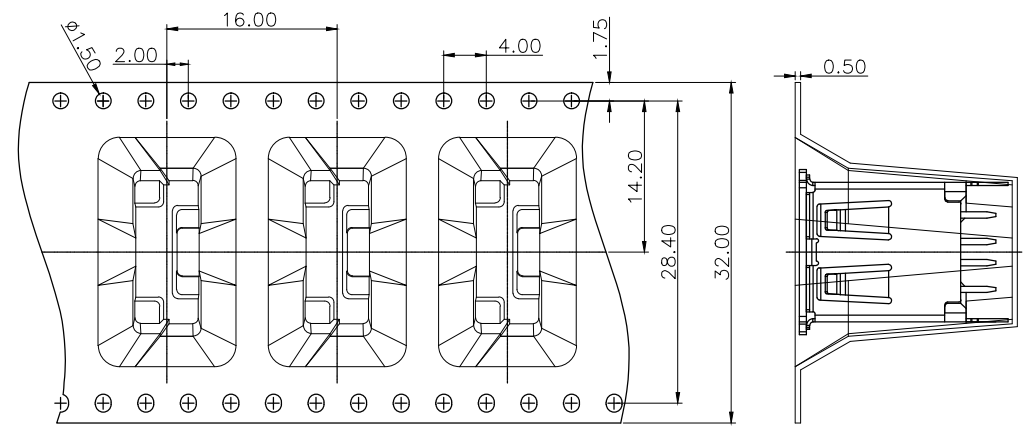




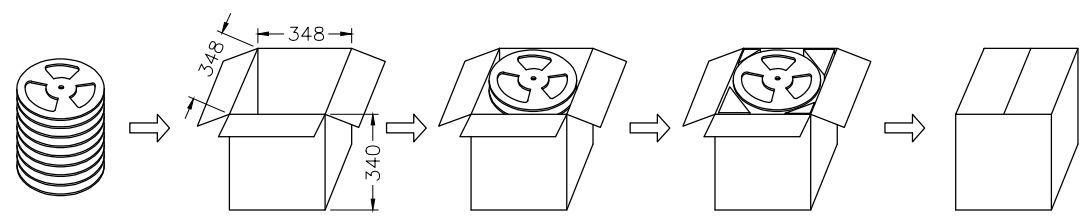
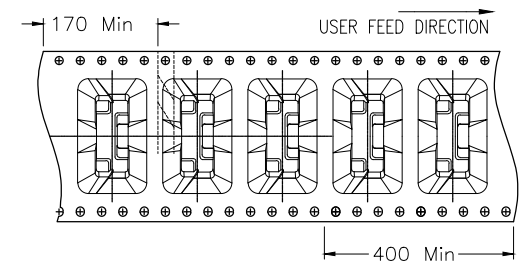
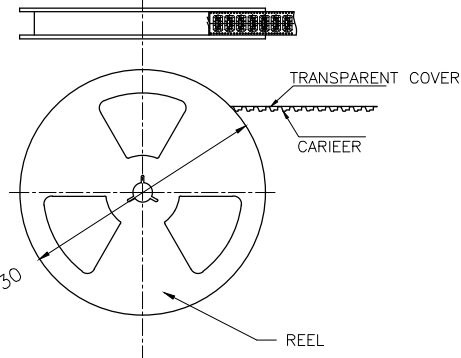
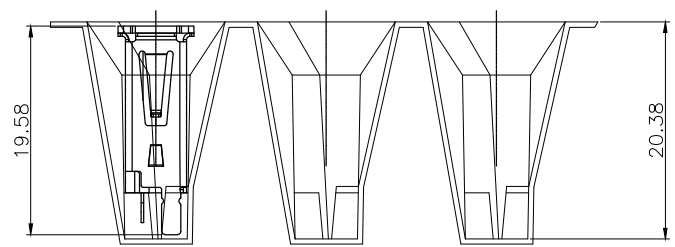
THIS DRAWING IS UNPUBLISHED. RELEASED FOR PUBLICATION  
 © COPYRIGHT BY TYCO ELECTRONICS CORPORATION. ALL RIGHTS RESERVED.

LOC DW	DIST	REVISIONS			
P	LTR	DESCRIPTION	DATE	DWN	APVD
		SEE SHEET 1.			



- NOTES:  
 PACKING MATERIAL MET TE SPEC 230-702, REVISION E.  
 \* CADMIUM AND CADMIUM COMPOUNDS CONTENT:  
 5 PPM UNDER (PLASTIC, RUBBER, INK, PIGMENT, PAINT)  
 \* LEAD, CADMIUM, CHROM VI AND MERCURY IN PACKAGING MATERIALS CONTENT: 100 PPM (COMBINED) UNDER.
- MATERIAL:  
 REEL: PS.  
 SHIPPING BOX: CORRUGATED FIBER.
  - DIMENSION:  
 REEL:  $\phi=330$ mm, PITCH=16mm  
 SHIPPING BOX: L=348mm, W=348mm, H=340mm
  - QUANTITY:SEE TABLE B

SECTION B-B



PACKAGING PROCESS

6.9KG	2.7KG	180	8	1440	2041556-1
GROSS WEIGHT	NET WEIGHT	PCS/ REEL	REEL/ OUTER BOX	OUTER BOX	PART NUMBER

THIS DRAWING IS A CONTROLLED DOCUMENT.		DWN	TE Connectivity			
DIMENSIONS: MM		CHK				
DIMENSIONS: MM 		APVD	NAME			
TOLERANCES UNLESS OTHERWISE SPECIFIED: 0 PLC ± - 1 PLC ± - 2 PLC ± - 3 PLC ± - 4 PLC ± - ANGLES ± - MATERIAL FINISH		PRODUCT SPEC	RECEIPT ASSY, VERTICAL, 4POSITION THRU-HOLE, TYPE A USB			
		APPLICATION SPEC	SIZE	CAGE CODE	DRAWING NO	RESTRICTED TO
		WEIGHT	A3	00779	C=2041556	
		CUSTOMER DRAWING	SCALE	SHEET	2 of 2	REV A